



INSTALLATION INSTRUCTIONS

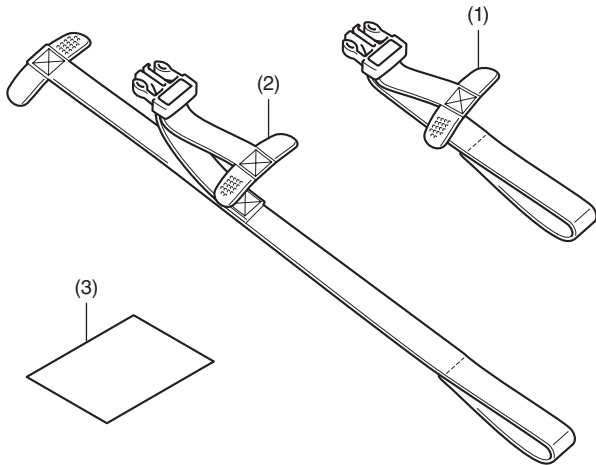
Accessory
SEAT BAG ATTACHMENT
 P/N 08L70-MKJ-D00

Application
CB650RA
CBR650RA

Publication No.
MII
 Issue Date
September 2018

Honda Dealer: Please give a copy of these instructions to your customer.

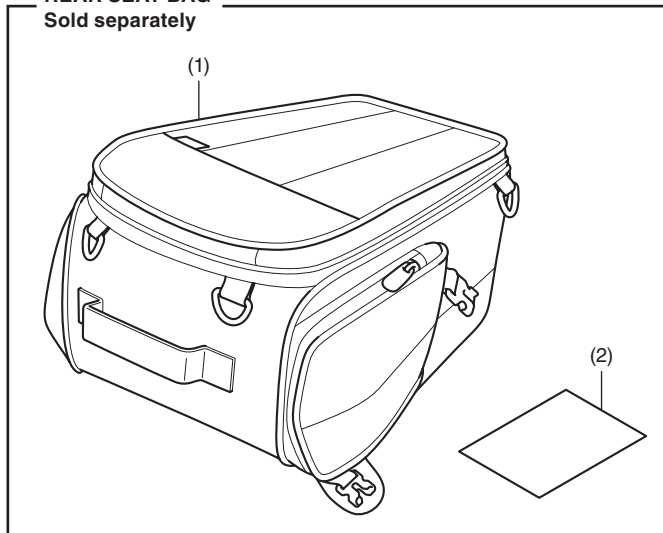
PARTS LIST



No.	Description	Qty
(1)	Rear strap	2
(2)	Front strap	2
(3)	URL paper	1

REAR SEAT BAG

Sold separately



No.	Description	Qty
(1)	Rear seat bag	1
(2)	URL paper	1

MAXIMUM LOADING CAPACITY

- The weight of the cargo must not exceed the following maximum loading capacity:

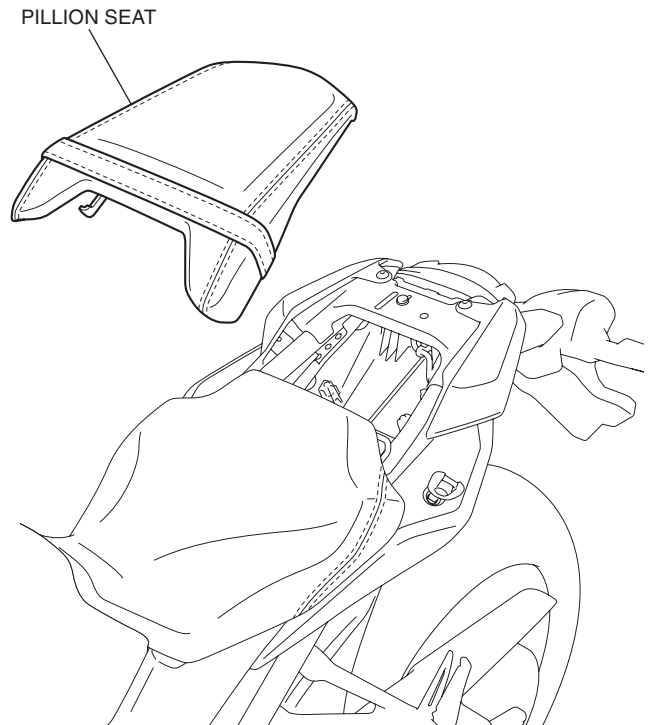
Maximum Loading Capacity	
Rear seat bag	4.0 kg (8.8 lb)

INSTALLATION

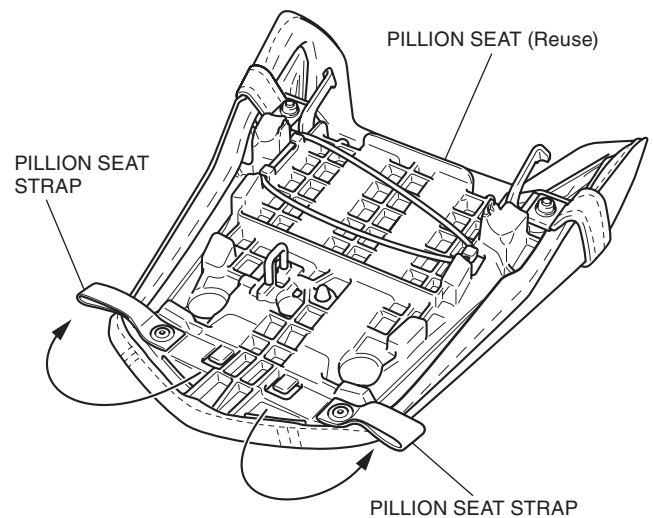
▲ CAUTION

- To prevent burns, allow the engine, exhaust system, radiator, etc., to cool before installing the accessory.

- Remove the pillion seat as shown.

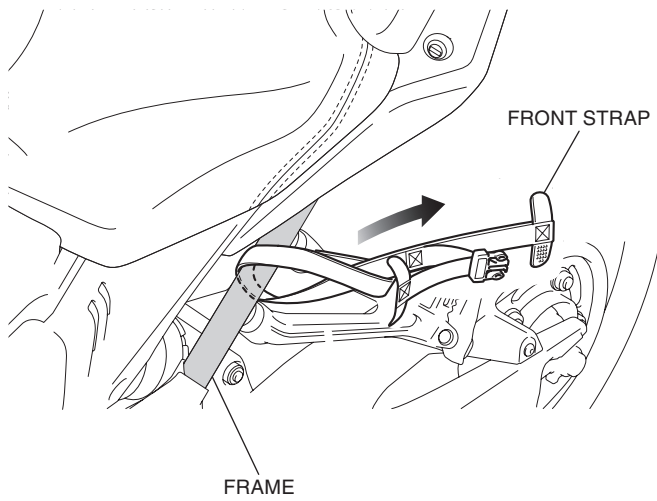


- Pull the pillion seat straps out as shown.

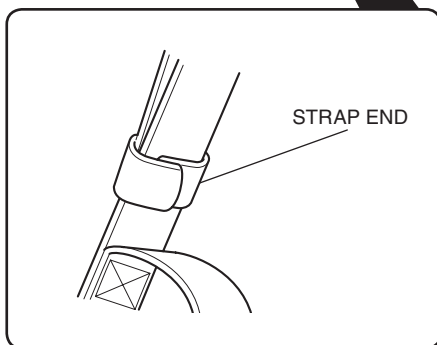
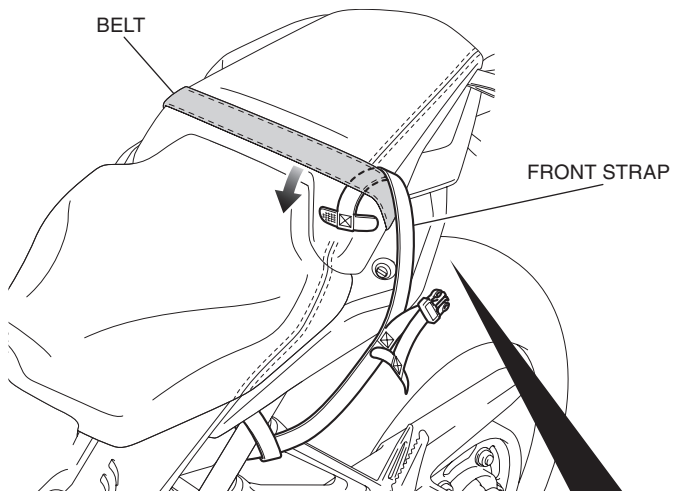


- Install the pillion seat in the reverse order of removal.

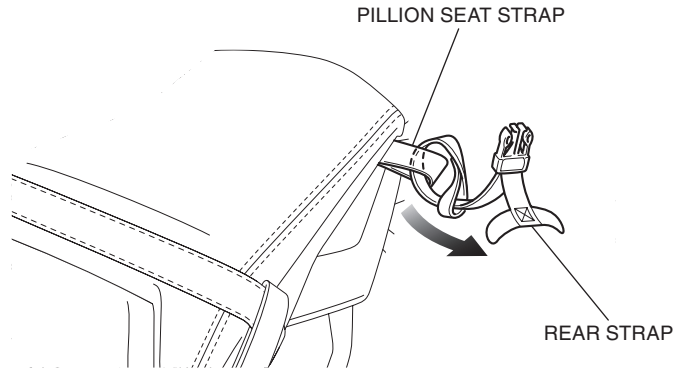
4. Set the front strap as shown.
<Left side>



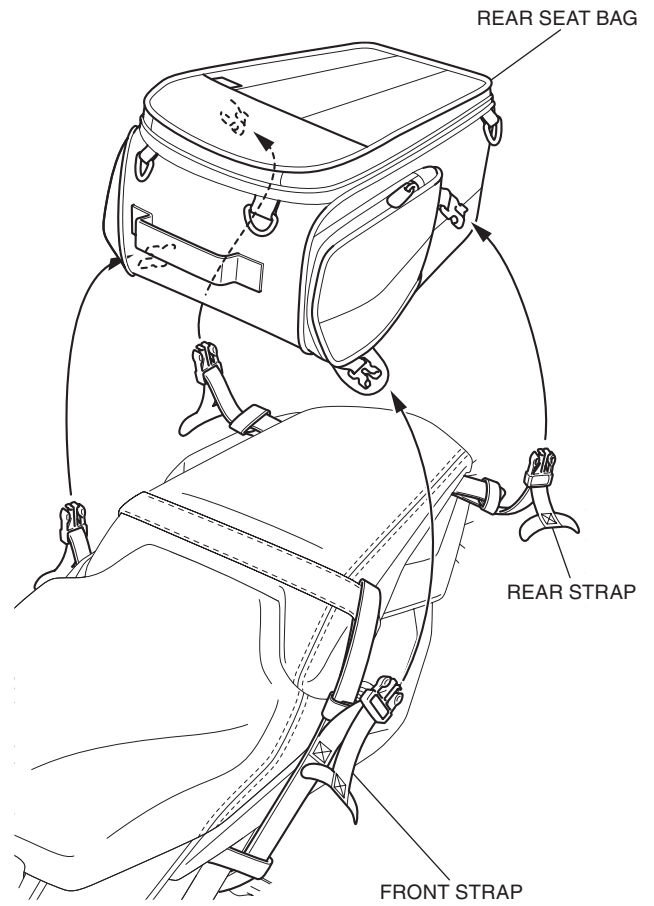
5. Route the front strap, and then secure the strap end as shown.



6. Set the rear strap as shown.

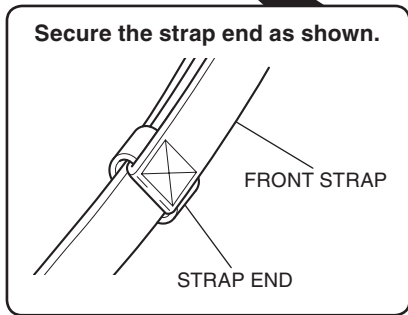
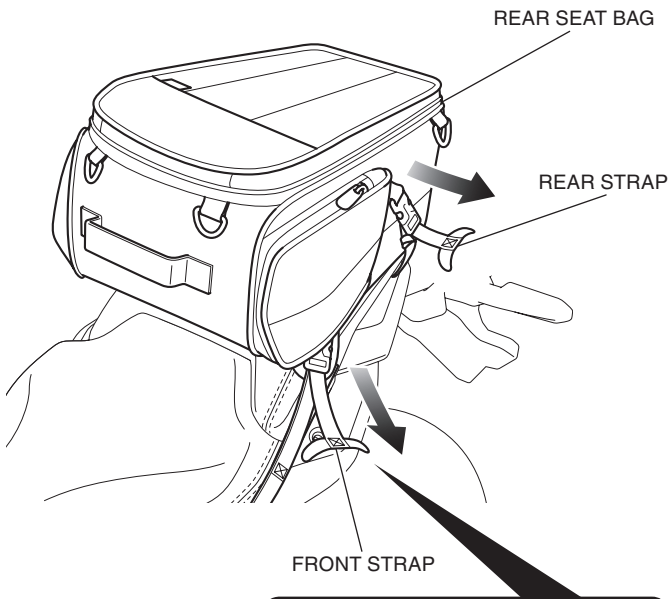


7. Set the front strap and rear strap on the right side in the same manner as the left side.
8. Install the rear seat bag as shown.

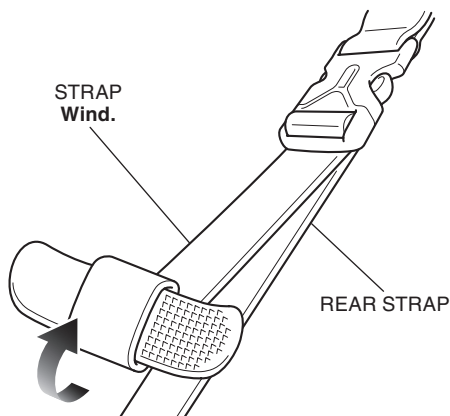


9. Tighten the straps while adjusting the balance between the right and left sides of the rear seat bag as shown.

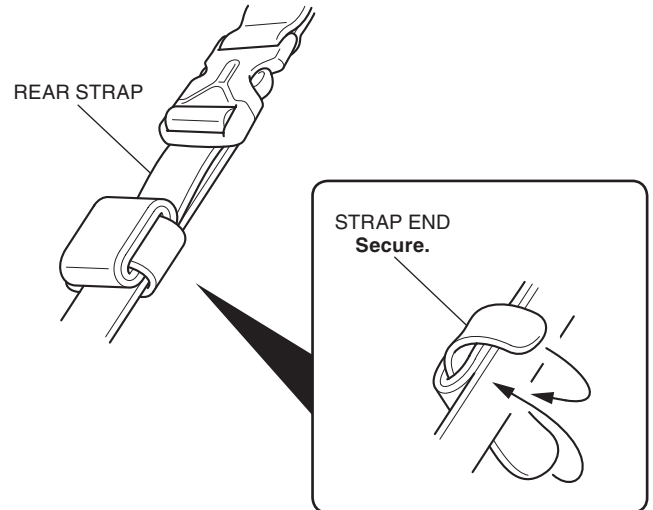
- Repeat on the right side.
- Secure well by pulling the straps tight.



10. Wind the strap as shown.



11. Secure the strap end as shown.



12. Secure the other straps in the same manner.

13. Make sure that the rear seat bag does not protrude to the rear of the tail light as shown.

- If the rear seat bag protrudes, adjust the tensions of front strap and rear strap.

